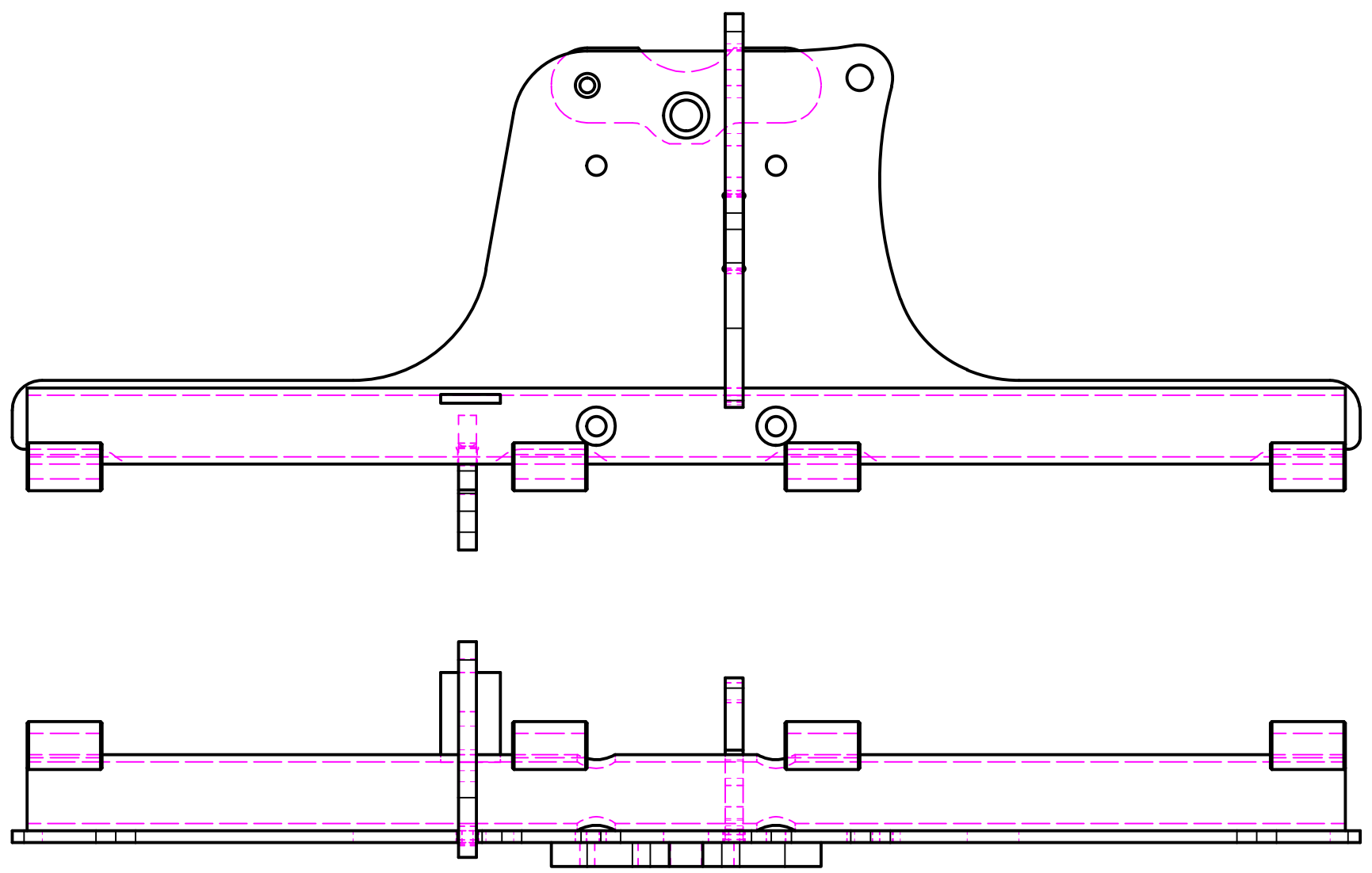
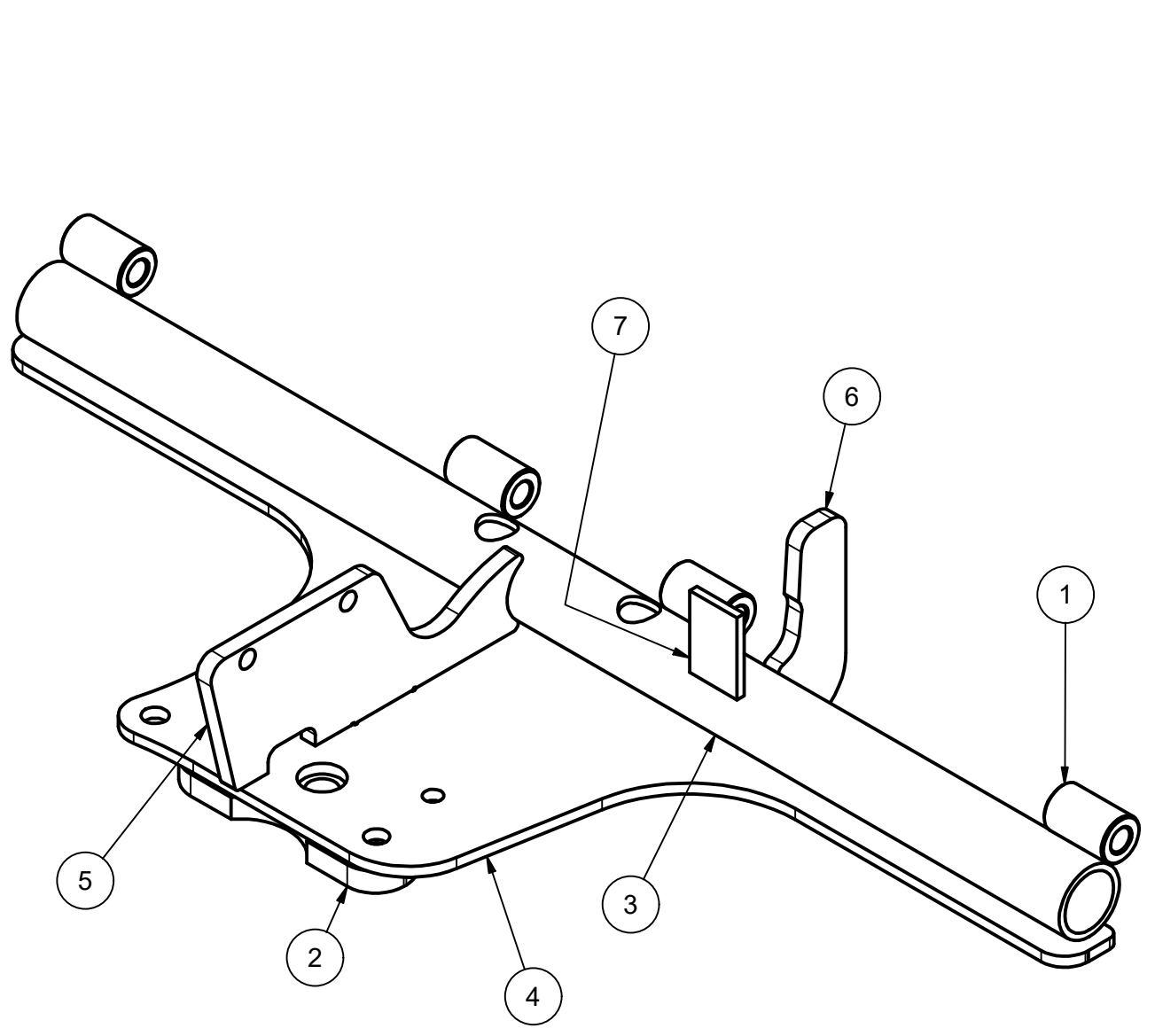

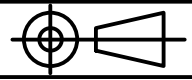
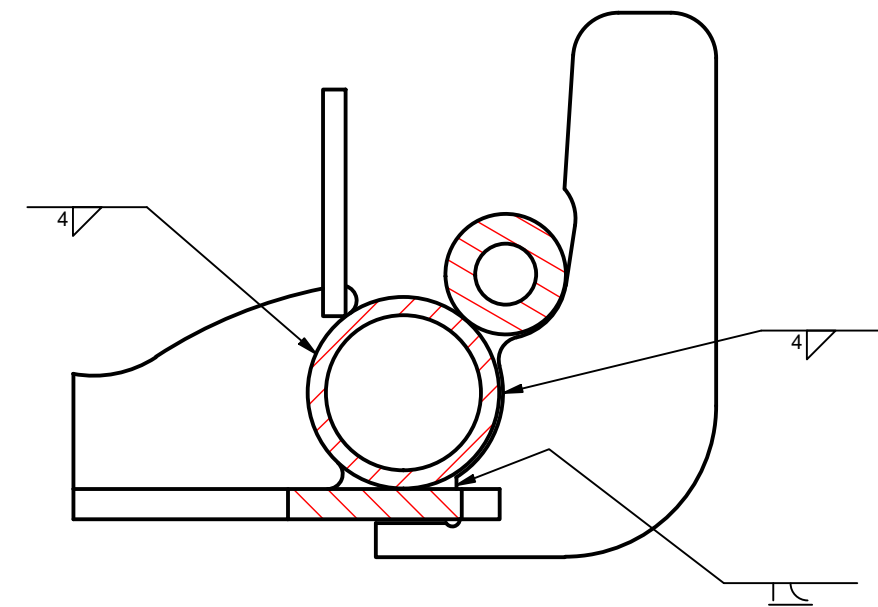
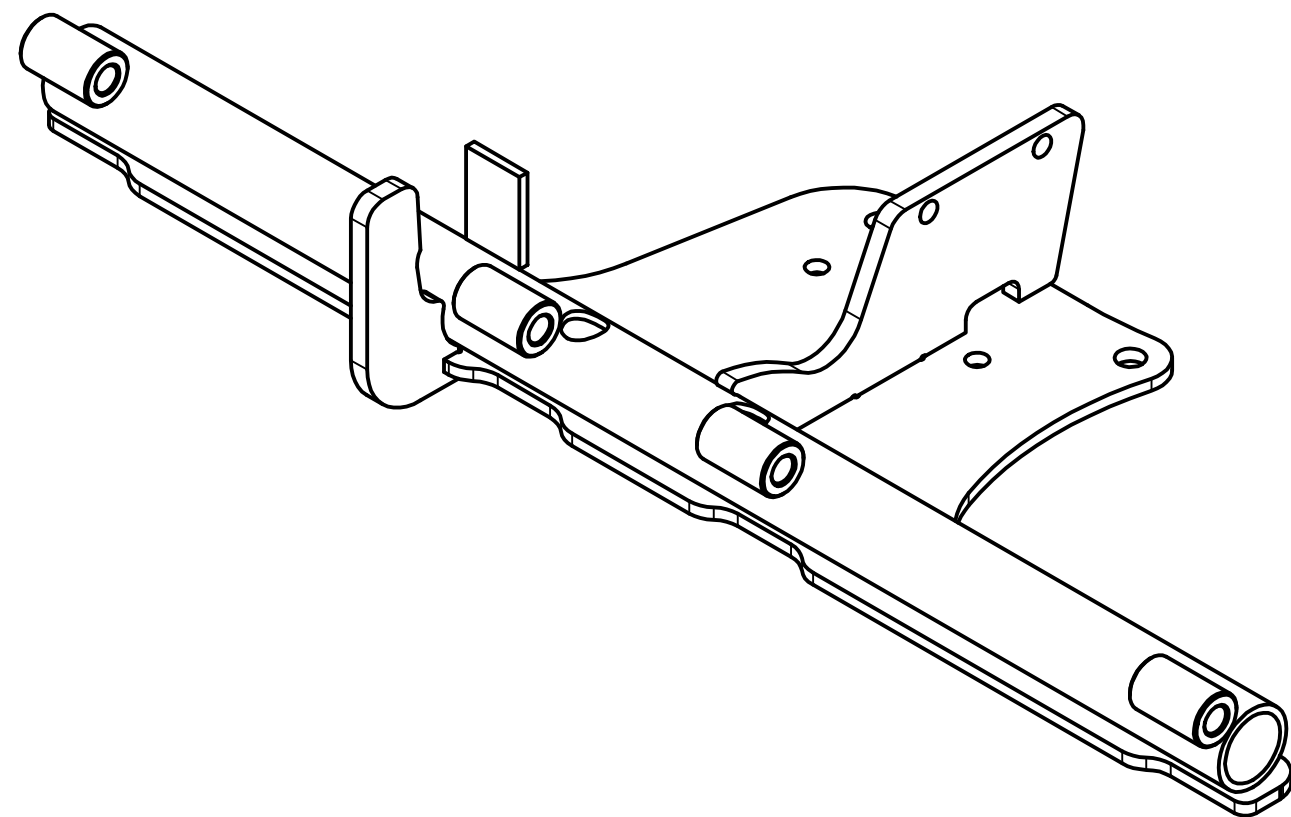
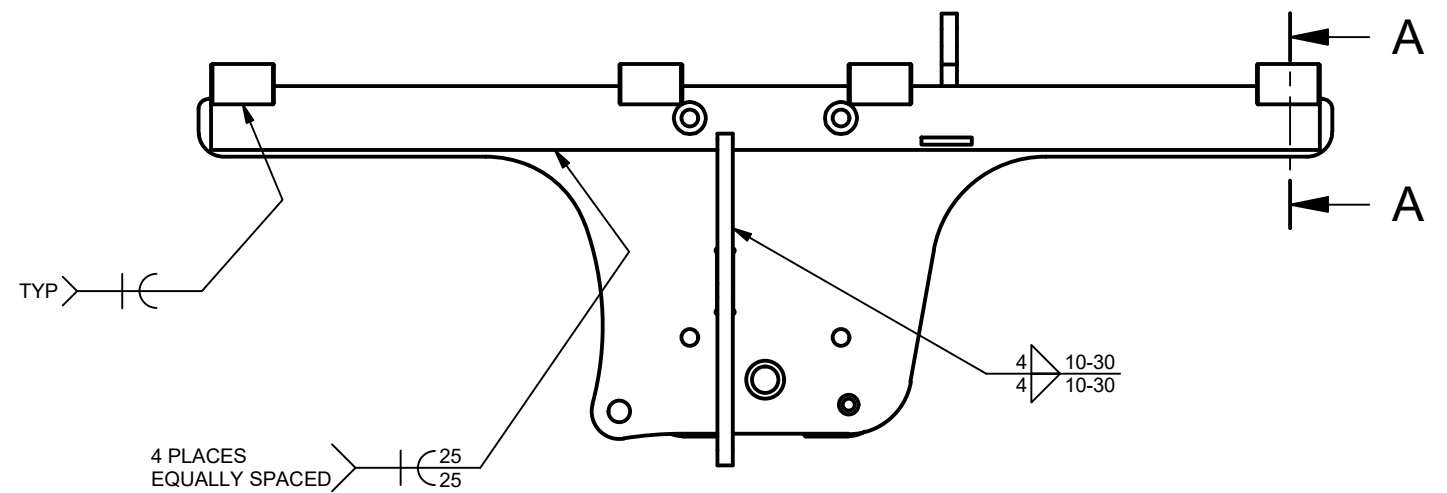
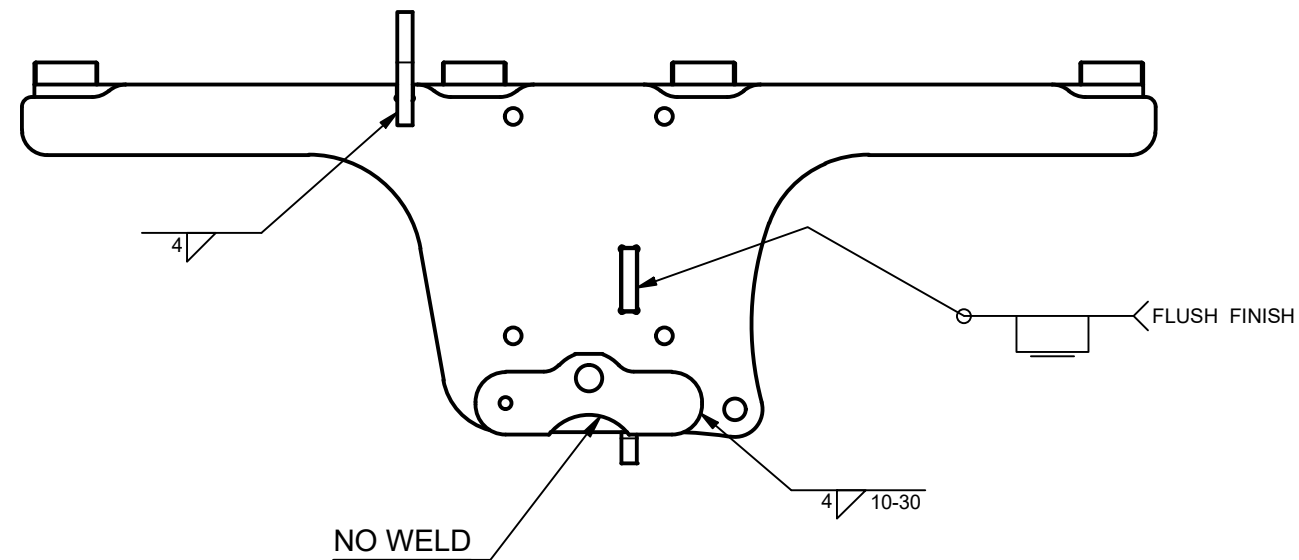


PROCESSING LIST											
ITEM	QTY	PART NUMBER	SUPPLIER PART N/O	DESCRIPTION	SUPPLIER	P/CUT	PRESS	M/SHOP	TUBE BENDING	NOTCHING	TUBE CUT LENGTH
1	4	KPR130-0024	KPR130-0024	SLIDING PEDAL - PIVOT BUSH	SANCOBE ENGINEERING	No	No	Yes	No	No	
2	1	KPR130-0042	KPR130-0042	SLIDING PEDAL - INDEXING BUTTON BRACKET	3 METALS	Yes	No	Yes	No	No	
3	1	KPR130-0045	KPR130-0045	SLIDING PEDAL - CROSS BAR	BENDPRO	No	No	Yes	No	No	410
4	1	KPR130-0046	KPR130-0046	SLIDING PEDAL - PEDAL PLATE	3 METALS	Yes	No	No	No	No	
5	1	KPR130-0047	KPR130-0047	SLIDING PEDAL - MASTER CYLINDER MOUNT	3 METALS	Yes	No	No	No	No	
6	1	KPR130-0050	KPR130-0050	SLIDING PEDAL - PEDAL STOP		Yes	No	No	No	No	
7	1	KPR130-0056	KPR130-0056	SLIDING PEDAL - REAR PEDAL STOP							


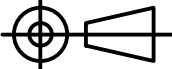


REVISION HISTORY				
REV	PART NUMBER	DESCRIPTION	DATE	APPROVED
1	KPR130-0056	ADDED KPR130-0056 TO WELDMENT	18/05/2021	T SKENE

DRAWN BY: JASON		AUTODESK INVENTOR DRAWING - DO NOT MANUALLY CHANGE	
CHECKED BY:			TITLE: KPR130-5501 SLIDING PEDAL - STRUT RETURN SLIDING PEDAL BRACKET
APPROVED BY:			DATE OF ISSUE: 17/02/2017
MATERIAL:		Preadtor Products Australia 20 Mudgee Street Kingston Brisbane QLD 4114 Ph : 07 3826 2222 fax : 07 3826 2299 web : www.predatorproductsaustralia.com.au	DESIGN STATE: Released
WEIGHT: N/A		 AS1100-1992 ALL DIMENSIONS [mm] U.N.O.	REV: 1
MANUFACTURING STANDARDS: AS1554.1 SP			DRAWING NOT FOR MANUFACTURE UNLESS RELEASED
FILE LOCATION: C:\WorkingFolder\DESIGNS\KPR\KPR130-SLIDING PEDAL\KPR130-5501.idw		DWG NO: KPR130-5501	
		SHEET 1/2 A3	



SECTION A-A
SCALE 1 / 1

DRAWN BY: JASON		AUTODESK INVENTOR DRAWING - DO NOT MANUALLY CHANGE	
CHECKED BY:			TITLE: KPR130-5501 SLIDING PEDAL - STRUT RETURN SLIDING PEDAL BRACKET
APPROVED BY:			DATE OF ISSUE: 17/02/2017
MATERIAL:		Predator Products Australia 20 Mudgee Street Kingston Brisbane QLD 4114 Ph : 07 3826 2222 fax : 07 3826 2299 web : www.predatorproductsaustralia.com.au	DESIGN STATE: Released
WEIGHT: N/A		 AS1100-1992 ALL DIMENSIONS [mm] U.N.O.	REV: 1
MANUFACTURING STANDARDS: AS1554.1 SP		COPYRIGHT © THIS DRAWING IS CONFIDENTIAL AND IS THE PROPERTY OF PREDATOR PRODUCTS AUSTRALIA. IT MUST NOT BE DISCLOSED TO A THIRD PARTY, REPRODUCED, COPIED OR LENT WITHOUT THE WRITTEN CONSENT OF THE PROPRIETOR	
FILE LOCATION: C:\WorkingFolder\DESIGNS\KPR\KPR130-SLIDING PEDAL\KPR130-5501.idw		DWG NO: KPR130-5501	DRAWING NOT FOR MANUFACTURE UNLESS RELEASED
		SHEET 2 / 2	A3